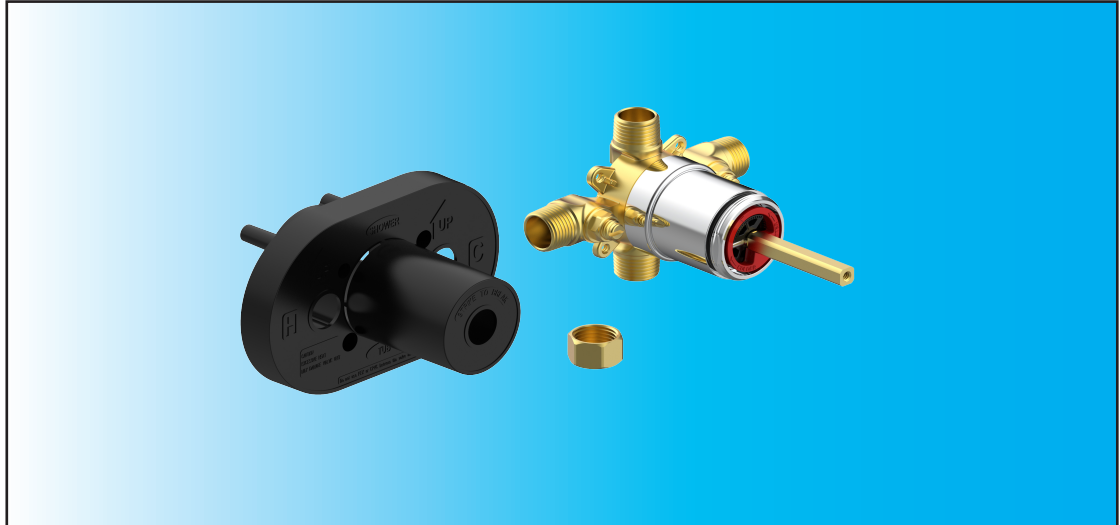


PRESSURE BALANCING VALVE BODY



FEATURES & BENEFITS

- Ceramic Cartridge
- CC/MIP
- With Stops

GLLR-799WS

Approvals:

Meets or Exceeds The Following:

- * ANSI/ASME A112.18.1
- * IAPMO/cUPC
- * ASSE 1016-2005



TEL: 888-649-0605

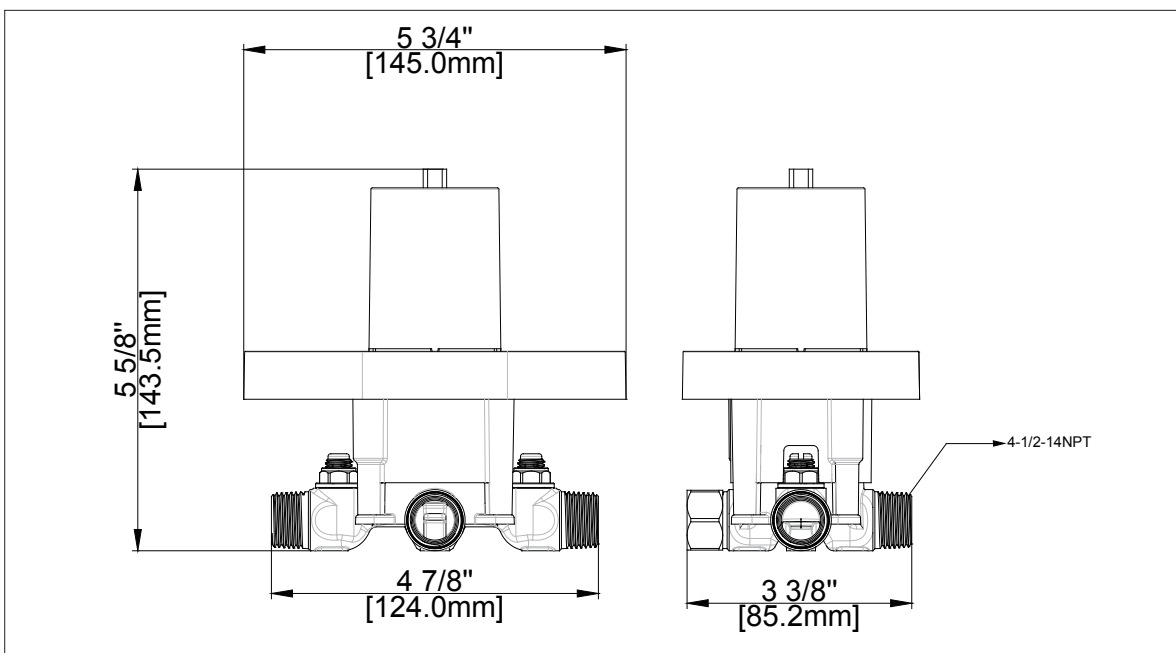
FAX: 877-892-1950

Visit Our Web Site : www.gemlinefaucets.com

Product Spec Sheet

PRESSURE BALANCING VALVE BODY

No.	Name	Part No.
1	O-ring / A rotórico	RP60091
2	Bonnet / Bonete	RP70798
3	Cartridge / Cartucho	RP20131
4	O-ring / A rotórico	RP60130



Product Spec Sheet